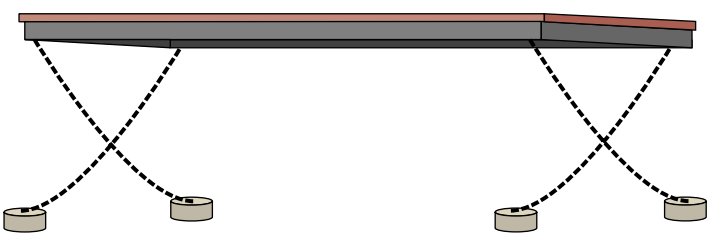
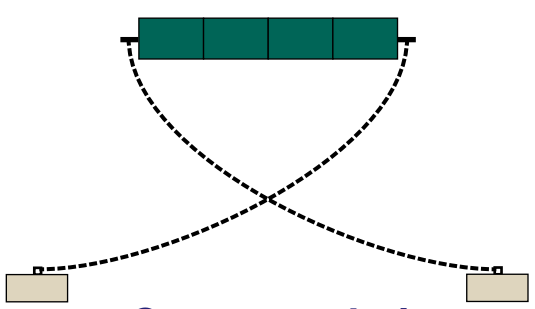


Typical mooring arrangements

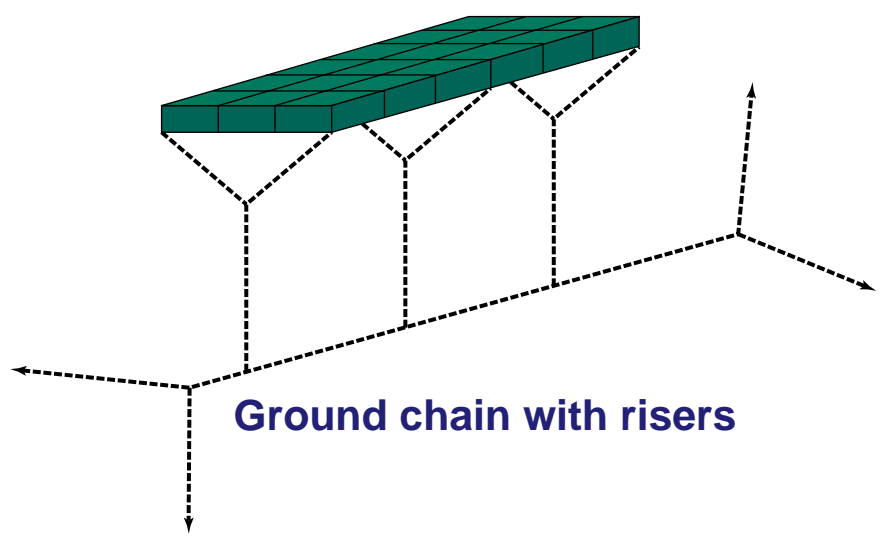
using the Airfloat Modular Pontoon System



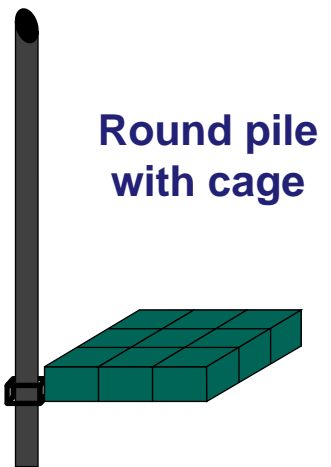
Seaflex



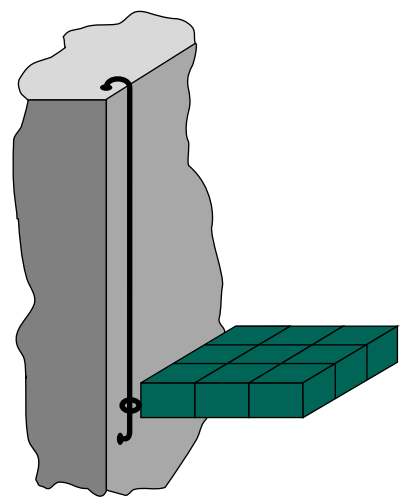
Catenary chains with concrete sinkers



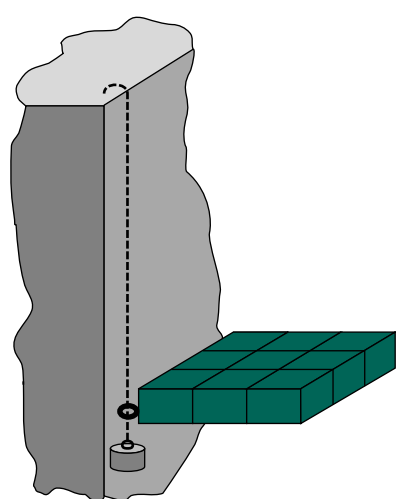
Ground chain with risers



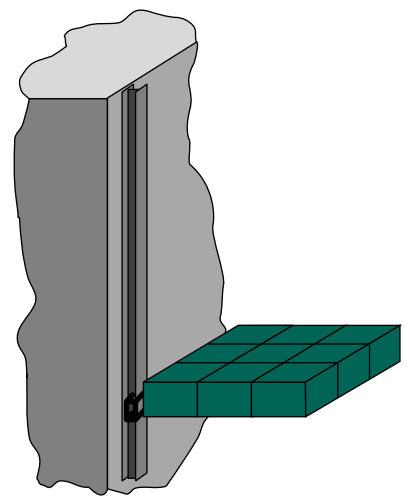
Round pile with cage



Bar and ring - max 3m



Weighted wire or chain - any length



H beam with cage - any length

AIRFLOAT LTD

PO Box 75, Plaxtol, Kent TN15 0YX, United Kingdom
Tel: +44 (0)1732 810163 Email: info@airfloatmps.com